

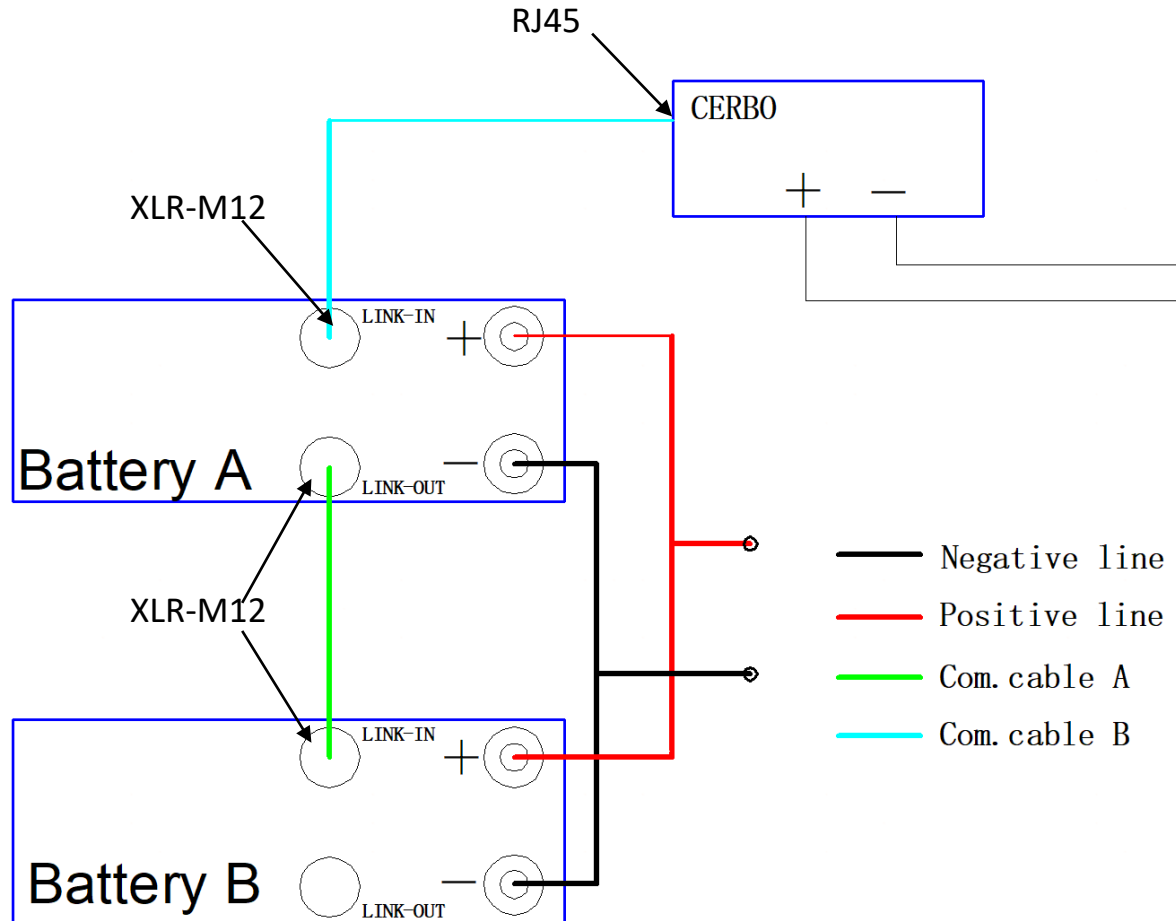


SNLX Connection Guide

1300 001 772 | sales@spb.net.au

9th Oct 2023

Wiring of Communication



Wire Schematic

> Communication cable B (XLR-RJ45female)

Plugged between Cerbo and host battery which is customized, using rj45 female to output and is with XLR plug input.

Length 2000mm, connects host battery LINK-IN port to communication port of CERBO.

> Communication cable A (XLR-XLR)

Standard communication line of battery, used for data translation between batteries.

In particular, batteries that are not connected to the LINK IN port will be regarded as host, thus the whole battery system data would be integrated to the host.

External equipment like CERBO can communicate with battery system by connecting to the LINK-IN port of the host

> Power of CERBO

Invicta suggest that the power supply of CERBO needs to be taken by another source, to ensure the accuracy of current acquisition.